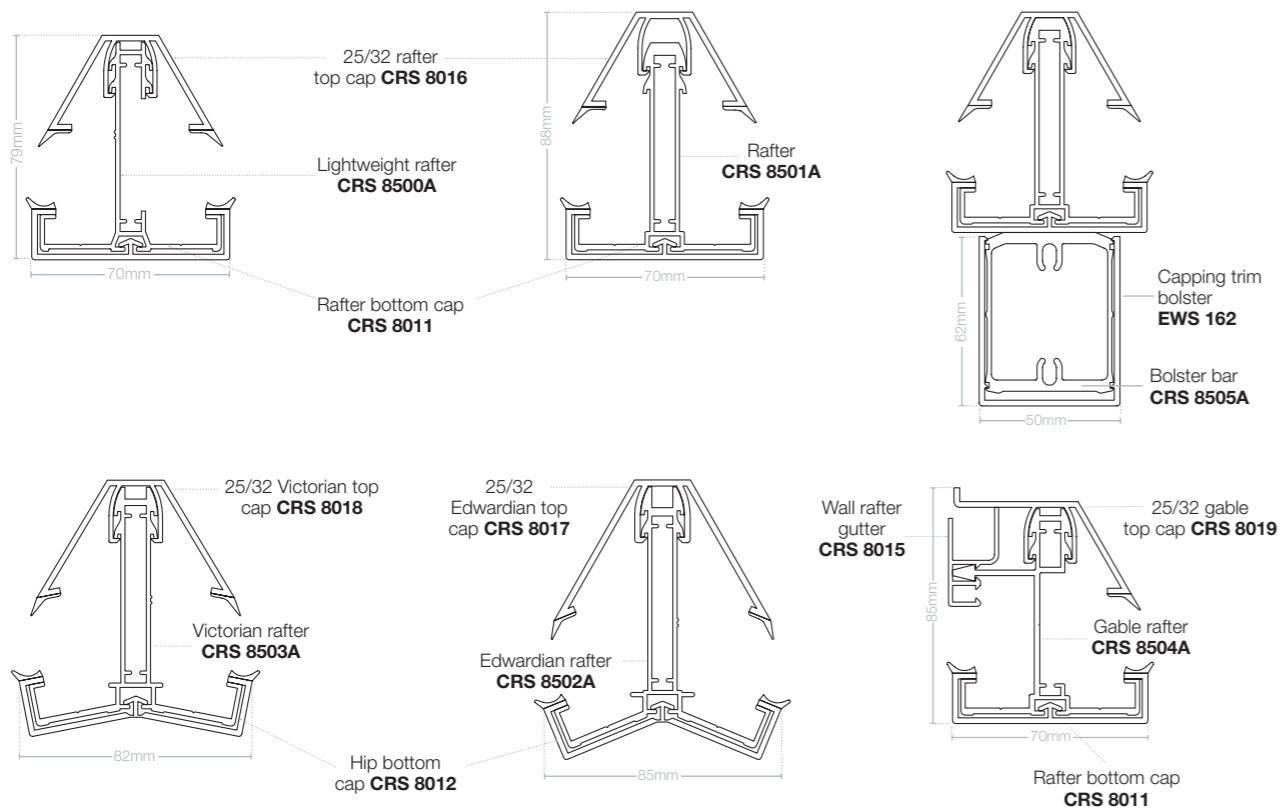
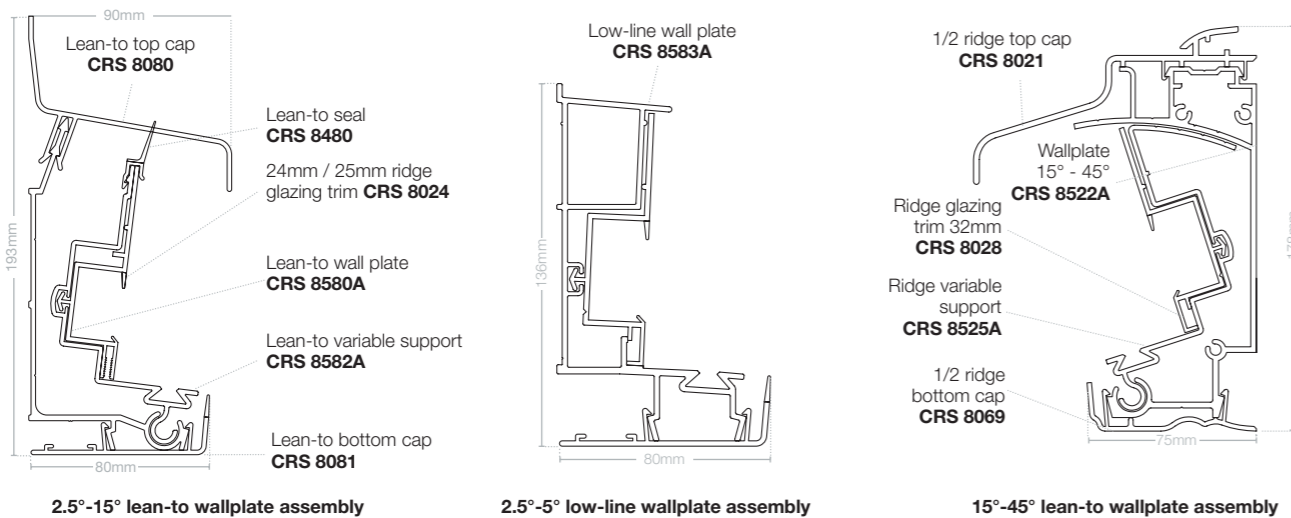


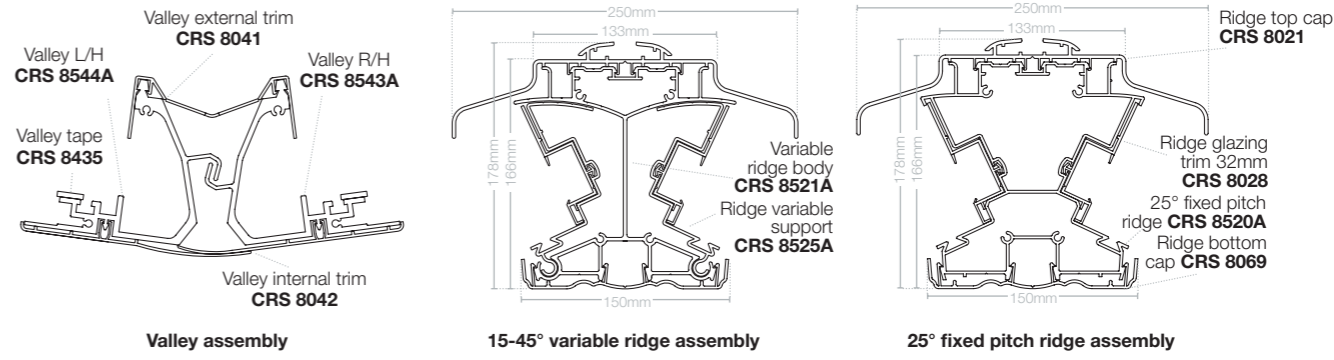
### RAFTER & HIP ASSEMBLIES



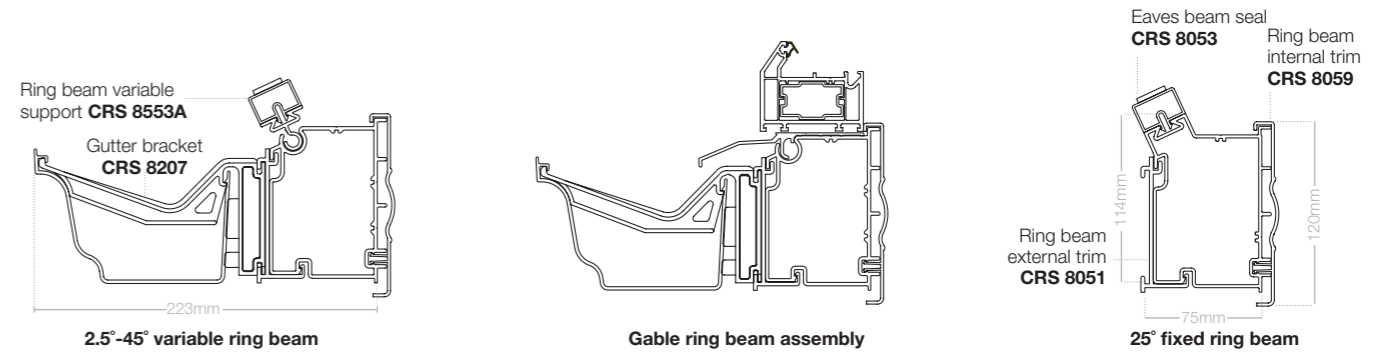
### LEAN-TO WALL PLATES



### VALLEY & RIDGE ASSEMBLIES



### RING BEAMS



### BOX GUTTERS

