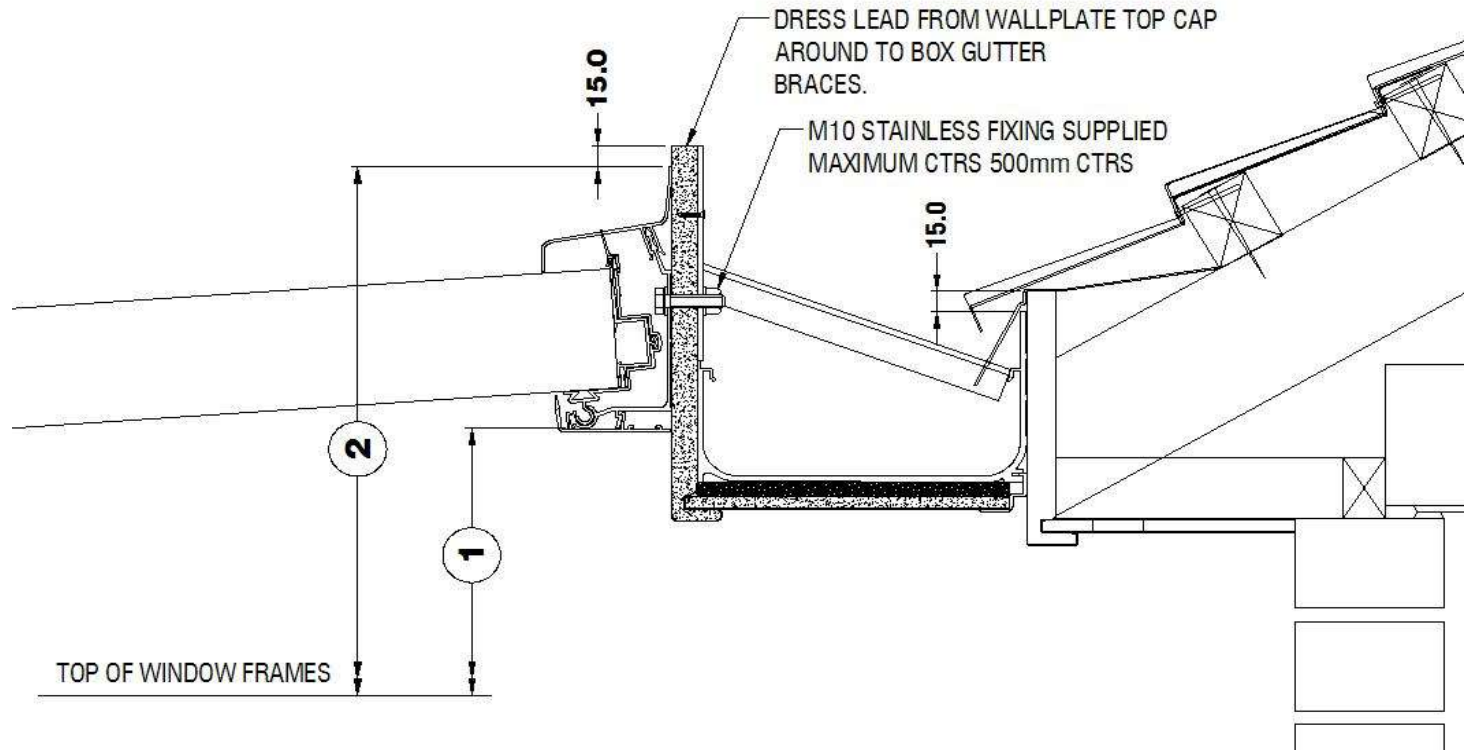


CUSTOMER:	
JOB REF:	

FACIA BOX GUTTER - INSTALLERS DRAWING

DIM 1: 265
 DIM 2: 456



pinnacle fascia box gutter calculator

version 1.0



PLEASE NOTE SUITABLE FIXINGS MUST BE USED TO FIX THE BOX GUTTER TO EVERY ROOF RAFTER OF THE EXISTING STRUCTURE. BOX GUTTER MUST NOT BE FIXED TO FACIA BOARD ALONE. TAKE ADVICE FROM FIXING SUPPLIER.

BOX GUTTER SHOULD ALSO BE SUPPORTED EVERY 2.25M MAX WITH GALLOWS BRACKETS, BRICK PIERS OR STRUCTURAL POSTS.

ADDITION TRIMS MAY BE REQUIRED, OTHER THAN SUPPLIED TO MEET ON SITE REQUIREMENTS.

EUROCELL USE ONLY

CHECKED BY:

DATE

FORM REF: QR-003/2