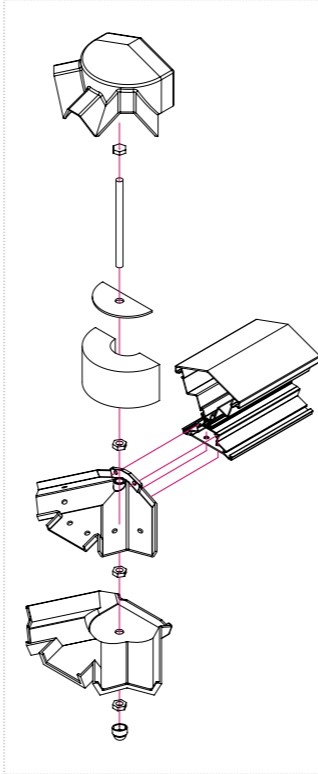


## COMPONENTS



**CRS 9240**  
Skypod  
3-bar top cap

**CRS 9241**  
Skypod  
2-bar top cap

**CRS 9242**  
Skypod Square  
spider top cap

**CRS 9423**  
Skypod Square  
sealing plate

**CRS 9521A**  
Skypod  
3-bar spider bracket

**CRS 9522A**  
Skypod  
2-bar spider bracket

**CRS 9523A**  
Skypod Square  
spider bracket

**CRS 9248**  
Skypod  
3-bar bottom cap

**CRS 9249**  
Skypod  
2-bar bottom cap

**CRS 9250**  
Skypod Square  
spider bottom cap

**CRS 8626S**  
**CRS 9626S**  
Spider bracket screws

**CRS 9421**  
Skypod  
foam bung

**CRS 9422A**  
Skypod  
foam bung sealing plate

**CRS 9520A**  
Skypod  
ridge body

**CRS 8625**  
Single variable  
support stud

**CRS 8624**  
Double variable  
support stud

**CRS 9200**  
Skypod  
screw cap covers

**CRS 8501A**  
Standard rafter

**CRS 8516A**  
Skypod Plus  
aluminium rafter top cap

**CRS 8010**  
Skypod Plus  
thermal break for  
aluminium top caps

**CRS 8011**  
Rafter bottom cap

**CRS 8502A**  
Edwardian hip

**CRS 8517A**  
Skypod Plus  
Aluminium hip top cap

**CRS 8012**  
Hip bottom cap

**CRS 9550A**  
Skypod  
eaves 20°

**CRS 9552A**  
Skypod  
thermally broken  
eaves beam 20°

**CRS 9934**  
Skypod  
boss kit

**CRS 8053**  
Eaves beam seal

**CRS 8056**  
25mm  
Glazing end trim

**CRS 8024**  
24/25mm ridge  
glazing trim

**CRS 8654**  
90° eaves  
beam cleat

**CRS 8411G**  
Skypod Plus  
aluminium top gasket

**CRS 9201**  
Skypod  
rafter end cap

**CRS 9202**  
Skypod  
hip rafter end cap

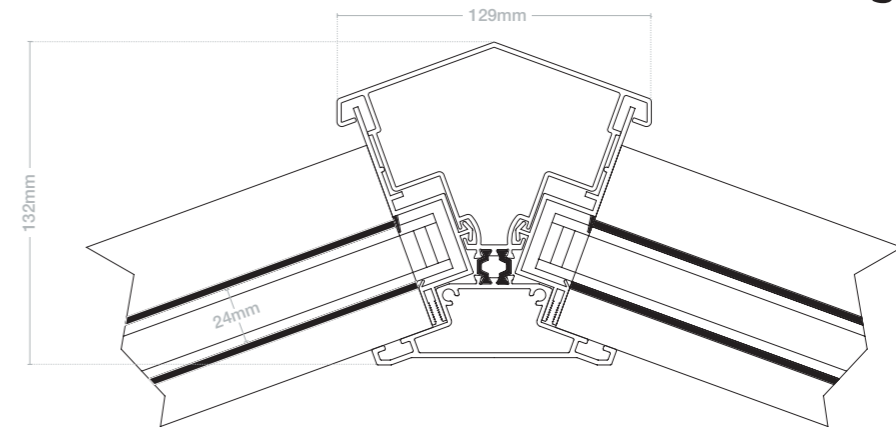
**CRS 8211**  
Glazing stop  
(CRS 8628 Glazing  
stop screws)

**CRS 9611S**  
Stainless steel  
glazing stop  
(CRS 8628 Glazing  
stop screws)

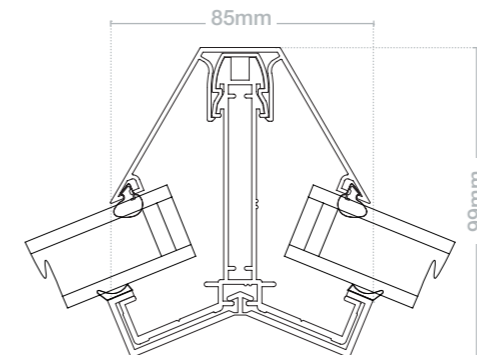
## ASSEMBLIES

### Ridge assembly

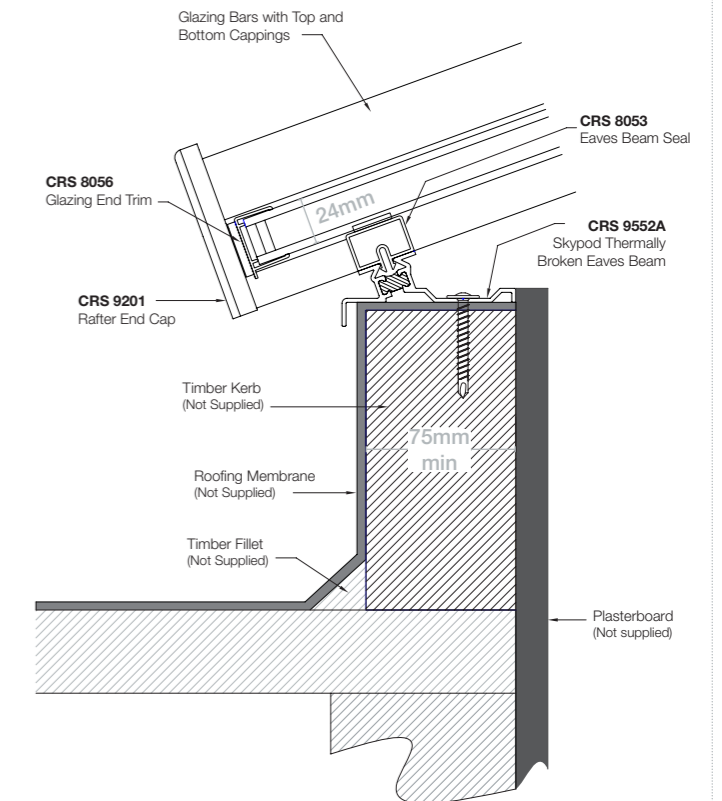
Powder-coated aluminium, thermally broken



### Hip assembly



### Ring beam on kerb assembly



### Rafter assembly

