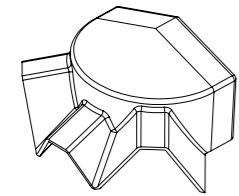
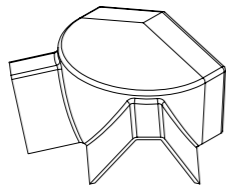


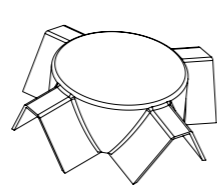
COMPONENTS



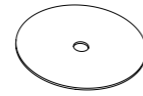
CRS 9240
Skypod
3-bar top cap



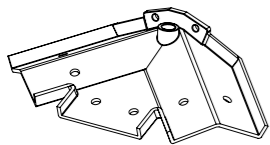
CRS 9241
Skypod
2-bar top cap



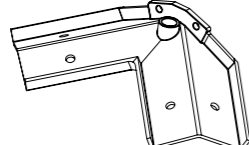
CRS 9242
Skypod Square
spider top cap



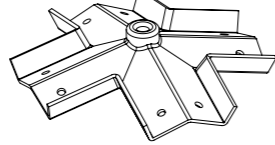
CRS 9423
Skypod Square
sealing plate



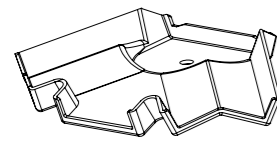
CRS 9521A
Skypod
3-bar spider bracket



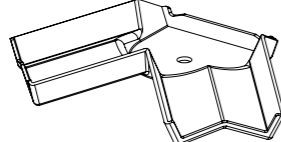
CRS 9522A
Skypod
2-bar spider bracket



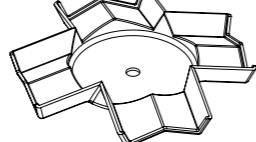
CRS 9523A
Skypod Square
spider bracket



CRS 9248
Skypod
3-bar bottom cap



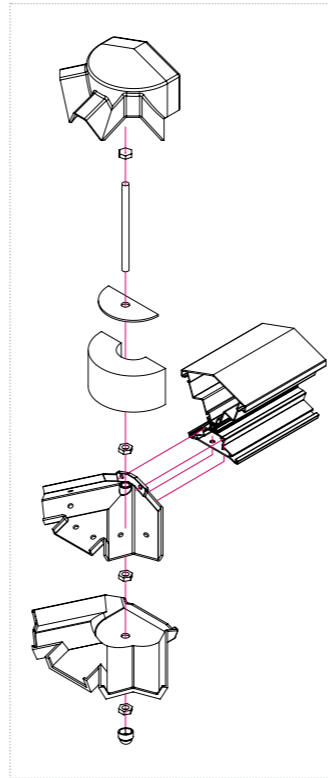
CRS 9249
Skypod
2-bar bottom cap



CRS 9250
Skypod Square
spider bottom cap

Spider bracket screws

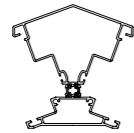
CRS 8626S
CRS 9626S



CRS 9421
Skypod
foam bung



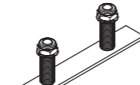
CRS 9422A
Skypod
foam bung sealing plate



CRS 9520A
Skypod
ridge body



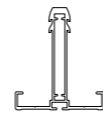
CRS 8625
Single variable
support stud



CRS 8624
Double variable
support stud



CRS 9200
Skypod
screw cap covers



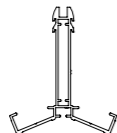
CRS 8501A
Standard rafter



CRS 8016
25mm
rafter top cap



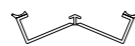
CRS 8011
Rafter bottom cap



CRS 8502A
Edwardian hip



CRS 8017
25mm Edwardian
hip top cap



CRS 8012
Hip bottom cap



CRS 9550A
Skypod
eaves 20°



CRS 9552A
Skypod
thermally broken
eaves beam 20°



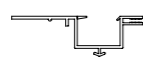
CRS 9934
Skypod
boss kit



CRS 8053
Eaves beam seal



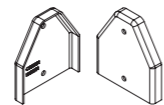
CRS 8056
25mm
Glazing end trim



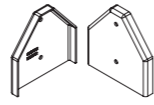
CRS 8024
24/25mm ridge
glazing trim



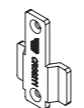
CRS 8654
90° eaves
beam cleat



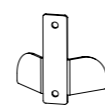
CRS 9201
Skypod
rafter end cap



CRS 9202
Skypod
hip rafter end cap



CRS 8211
Glazing stop
(CRS 8628 Glazing
stop screws)

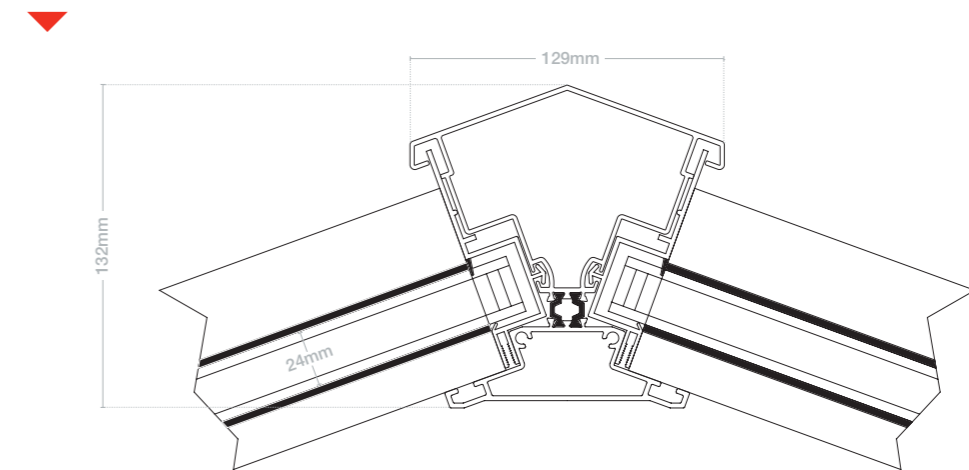


CRS 9611S
Stainless steel
glazing stop
(CRS 8628 Glazing
stop screws)

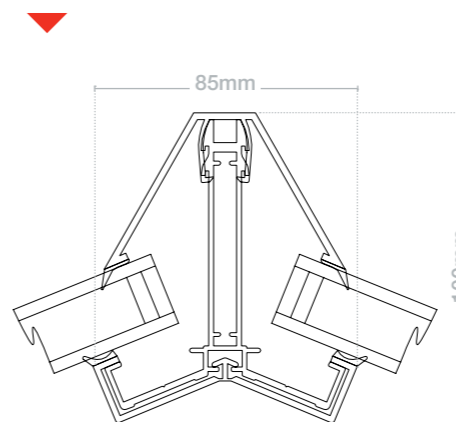
ASSEMBLIES

Ridge assembly

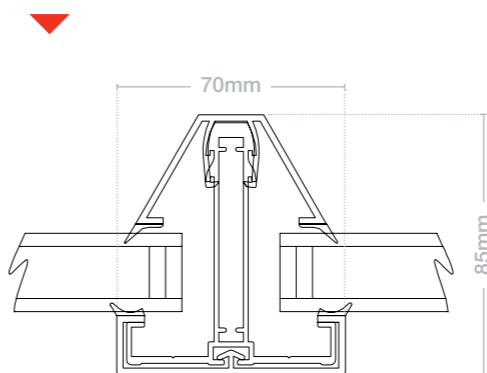
Powder-coated aluminium, thermally broken



Hip assembly



Rafter assembly



Ring beam on kerb assembly

